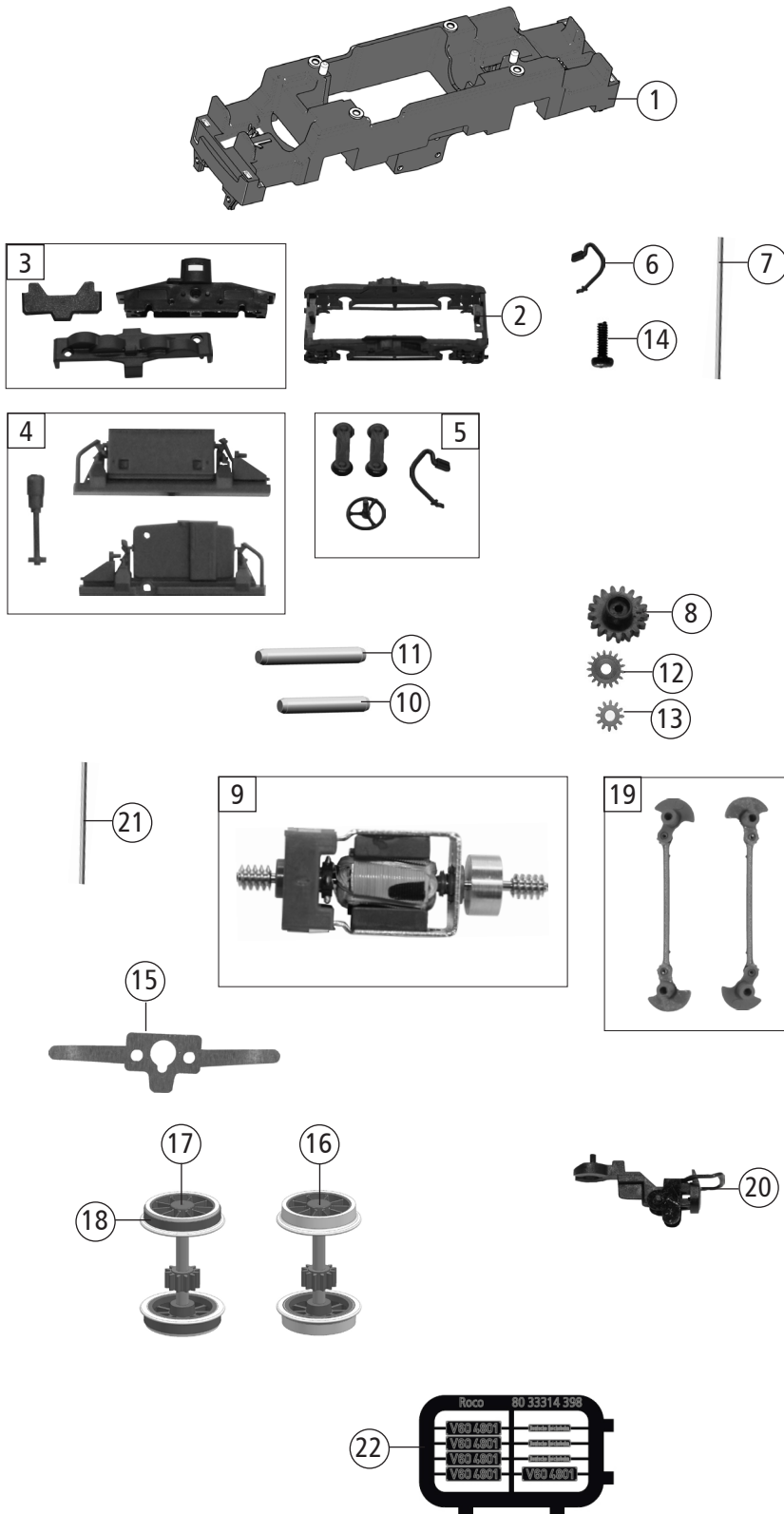


| Pos. Nr. Pos.no. | Beschreibung Description | Art.-Nr. Art.no. | Preisgruppe Price bracket |
|---------------------|---|---------------------|------------------------------|
| 1 | Gehäuse kpl. V60 4801 Body ass. loco no. V60 4801 | 144798 | 36 |
| 2 | E-Lokführer Loco driver | 110407 | 6 |
| 3 | Turgriffe Handrail | 142153 | 7 |
| 4 | Lüftergitter Part set ventilator grills | 142154 | 7 |
| 5 | Führungsstange Hand-rail | 142155 | 5 |
| 6 | GF-Schraube M1 6x10 Self-tapping screw M1 6x10 | 114881 | 3 |
| 7 | Dachdeckel Roof cover | 142190 | 6 |
| 8 | TS-Führerstand Part set of driver's cabs | 142128 | 10 |
| 9 | TS-Inneneinrichtung Part set of interior fittings | 142129 | 9 |
| 10 | TS-Schneepflug, Frontschürze Part set of snow plow, front skirts | 142192 | 9 |
| 11 | Stimblech Front plate | 144799 | 6 |
| 12 | Stirngriffstange Vertical handrail | 142136 | 6 |
| 13 | TS-Scheibenwischer Part set of windshield wipers | 142194 | 8 |
| 14 | TS - Kupplung Part set of coupling | 142195 | 10 |
| 15 | TS - Fenster Part set of windows | 142141 | 17 |
| 16 | TS-Lichtleiter Part set of light conductor | 142142 | 10 |
| 17 | Feuerlöscher Fire extinguisher | 135357 | 6 |
| 18 | Lichtringe + Treppen Light ring + ladders | 139819 | 5 |
| 19 | Platine kpl.mit LED-Platine PCB complete with LED-PCB | 142144 | 21 |
| 20 | Druckluftanschluss Compressed air connector | 142985 | 4 |
| 21 | Brückenstecker Jumper | 133241 | 10 |
| Sound | | | |
| 22 | Platine kpl.mit LED-Platine für So. PCB complete with LED-PCB | 142159 | 22 |
| 23 | Sounddecoder Sound-decoder | 129000 | 39 |
| 24 | Lautsprecher Loudspeaker | 129524 | 14 |

Änderungen in Konstruktion und Ausführung vorbehalten
We reserve the right to change the construction and specification



| Pos. Nr. Pos.no. | Beschreibung Description | Art.-Nr. Art.no. | Preisgruppe Price bracket |
|---------------------|--|---------------------|------------------------------|
| 1 | Grundrahmen Basic frame | 142189 | 17 |
| 2 | DG-Blende Bogie-Blinds | 142198 | 8 |
| 3 | TS-Getriebe Part set gear | 142199 | 9 |
| 4 | TS - Tankdeckel,.. Part set of tank cover | 142981 | 11 |
| 5 | TS - Schlauch, Kupplung Part set of hose, coupling | 142138 | 8 |
| 6 | Bremsschlauch Brake tube | 142987 | 4 |
| 7 | Rückstellfeder Retainer spring | 142143 | 5 |
| 8 | Zahnrad Z=17 - schwarz Gear wheel Z=17 - black | 142157 | 4 |
| 9 | Motor m.Schwungm.+2Schn. Motor with flywheel | 142145 | 30 |
| 10 | Achse f. Zahnrad D=1 L=6,4mm Axle for gear wheel | 00730541 | 1 |
| 11 | Achse D=2,1 L=8 mm Axle D=2,1 L=8 mm | 142146 | 5 |
| 12 | Untersetzungszahnrad Reduction gear wheel | 135806 | 5 |
| 13 | Zwischenzahnrad Intermediate gear wheel | 112464 | 3 |
| 14 | Schraube M1,5x5 mm Screw M1,5x5 mm | 108137 | 3 |
| 15 | Radkontakt Wheel contact | 142147 | 7 |
| 16 | Radsatz mit Zahnrad ohne Haftring Wheelset w. gear wheel w/o tract.tyre | 142200 | 11 |
| 17 | Radsatz mit Zahnrad mit 2 Haftringen Wheelset w. gear wheel w.2 tract.tyres | 142201 | 12 |
| 18 | Haftring N ab 8,5 mm 10 Stk. Set with traction tyres 10pieces | 85610 | 10 |
| 19 | TS - Kuppelstangen Part set of coupling rod | 144797 | 18 |
| 20 | Bosnakupplung kpl. BOSNA coupling complete | 142203 | 6 |
| 21 | Achse Axle | 142156 | 5 |
| 22 | Tafelsätze Set of panels | 144800 | 12 |